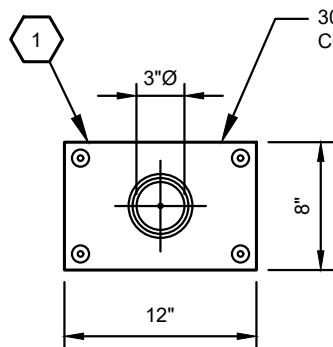
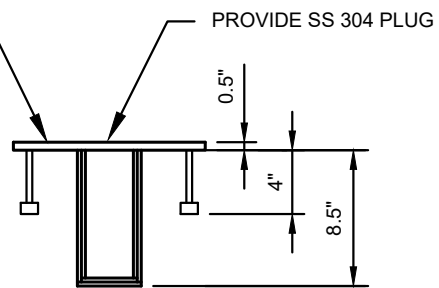


PLAN

SCALE: 1/4"=1'-0"



PLAN



SECTION

FLUSH MOUNT SLEEVE

1 FLUSH MOUNT SLEEVE MODEL 85-12828
WITH PLUG MODEL 8510827 BY UNIQUE
CONCEPTS LTD.



Silver Lake Water & Sewer District

FLUSH MOUNT SLEEVE

DATE: 11-2022

DWG: G8