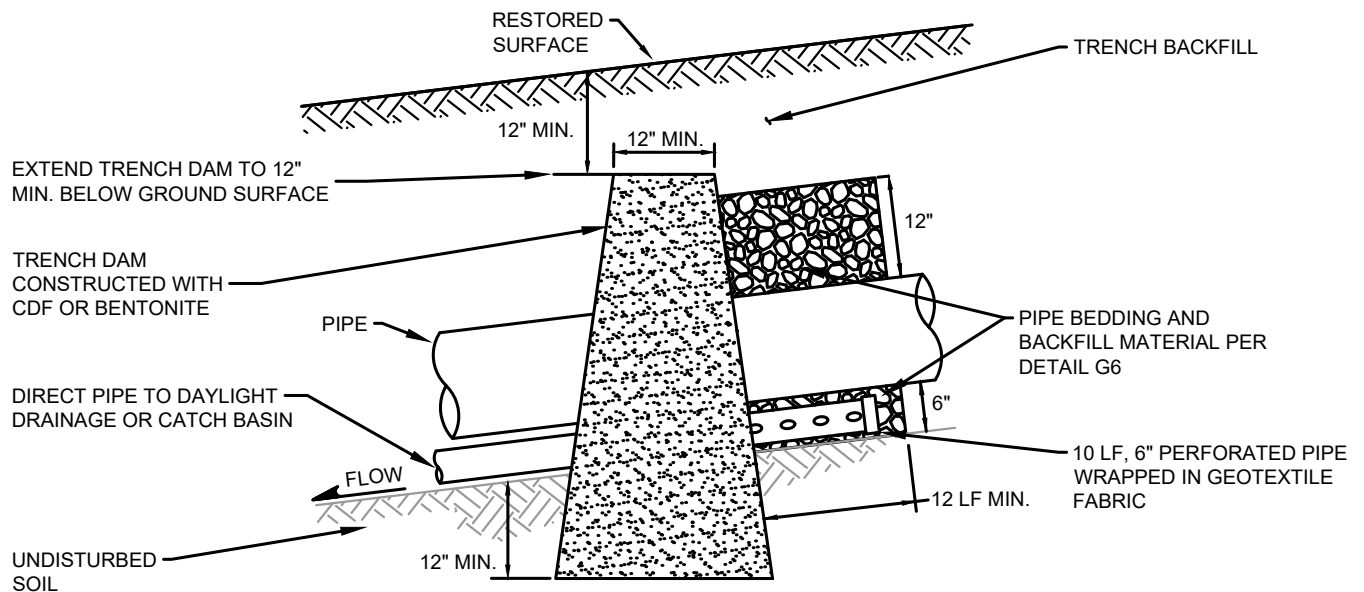


PLAN VIEW



PROFILE VIEW

NOTES:

1. INSTALL IN HIGH GROUND WATER AREAS, ADJACENT TO WETLANDS AND STREAM CROSSINGS OR AS SHOWN ON PLANS OR AS DIRECTED BY THE DISTRICT.
2. ELEVATION AT TOP OF TRENCH DAM TO VARY BASED ON WATER TABLE AS DIRECTED BY THE DISTRICT OR TO FULL DEPTH OF GRANULAR MATERIAL.
3. INCREASE TRENCH WIDTH TO ACCOMMODATE DRAIN PIPE.
4. SPACING BETWEEN TRENCH DAMS SHALL BE EQUIVALENT TO SPACING OF SURFACE CATCH BASINS UNLESS OTHERWISE APPROVED BY DISTRICT.



TRENCH DAMS

DATE: 11-2022

DWG: G9