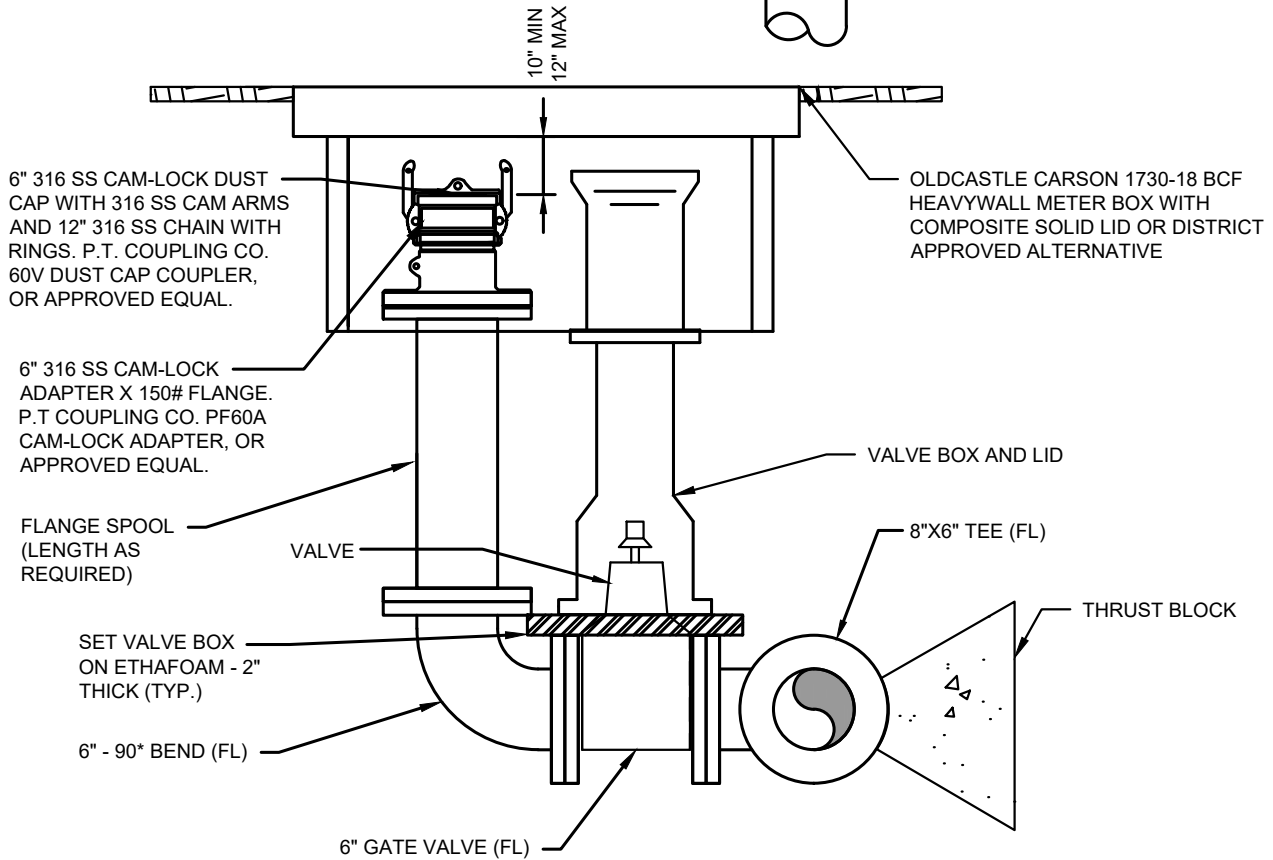


PLAN



ELEVATION



**FORCE MAIN BYPASS PUMP
CONNECTION BELOW GRADE**

DATE: 12-2023

DWG: S23B