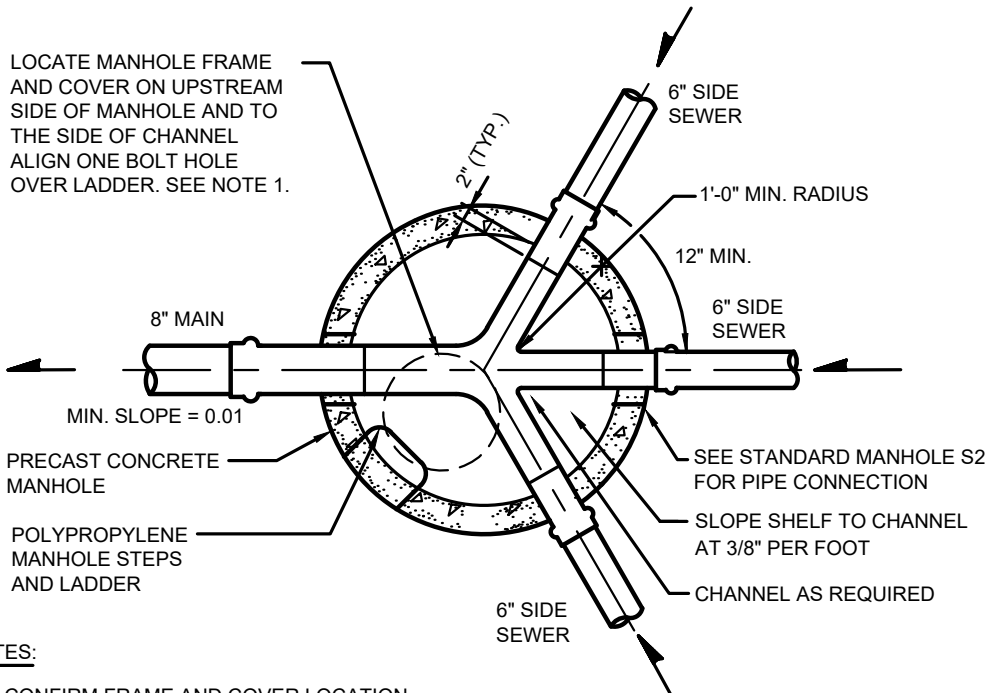


**NOTES:**

1. CONFIRM FRAME AND COVER LOCATION WITH DISTRICT.


**TYPICAL MAIN CONNECTION**



**NOTES:**

1. CONFIRM FRAME AND COVER LOCATION WITH DISTRICT.
2. MAXIMUM 3 SIDE SEWER CONNECTIONS PER MANHOLE.
3. MATCH CROWN ELEVATIONS.

**TYPICAL SIDE SEWER CONNECTION (END MANHOLE)**

 <p><b>Silver Lake Water &amp; Sewer District</b></p>	
<p><b>SANITARY SEWER MAIN AND SIDE SEWER CONNECTIONS</b></p>	
DATE: 11-2022	DWG: S2